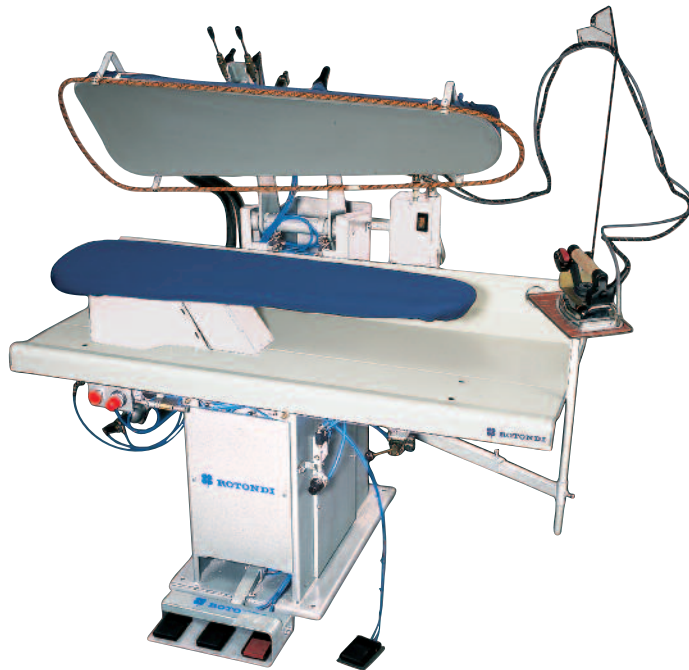




AIR OPERATED PRESS

BL-LAUNDRY PRESSES SERIES



Pneumatic pressing machines for smocks, shirts, leather, cotton or poly-cotton pants, hospital wear Hot head no steam. Buck with vacuum and steaming.

Adjustable pressing pressure. Accident-prevention protection on head.

Lower padding of 5 layers with pure silicon foam.

Stainless steel head heated with steam or electricity

Different forms are available:

CO-90 - Universal - length 117 cm

CO-49 - Universal long - length 124 cm

CO-5 - Universal short - length 107cm - 42"

1104 - Combined, universal and ironing of pants legs

Series CRP - For ironing shirts, smocks and doctor's suit

Special forms upon request

Available with or without built-in electric steam generator meeting PED standards - capacity 24.5 litres - 12.15 or 18kw - and high-pressure vacuum motor 0,35KW - 0,5HP.

Options:

- Buck air-blowing
- Anti-shine plate on head in PTFE-aluminium
- ET-1 -RAFFAELLO mini-computer for programming timing of head steaming, pre and post vacuum, pressure and air-blowing time - 9 programs. Extremely user friendly software.
- Condensation separator unit with electric steam or steam iron or temperature with high-precision electronic display (see catalogue of irons)
- Swing arm with form for ironing sleeves or stain-removal in stainless steel
- Air-water spray gun



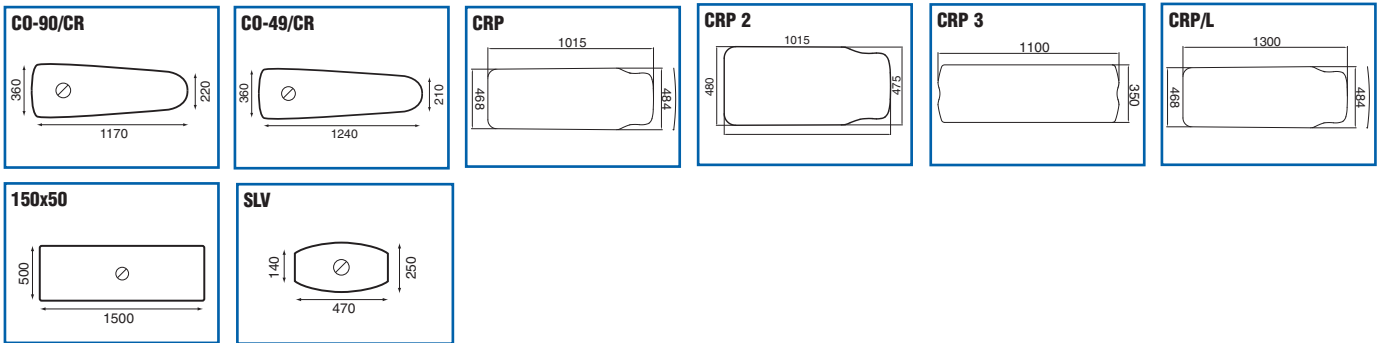
Made in Italy with Italian Fashion Mind



PRESSING MACHINE TECHNICAL SPECIFICATIONS

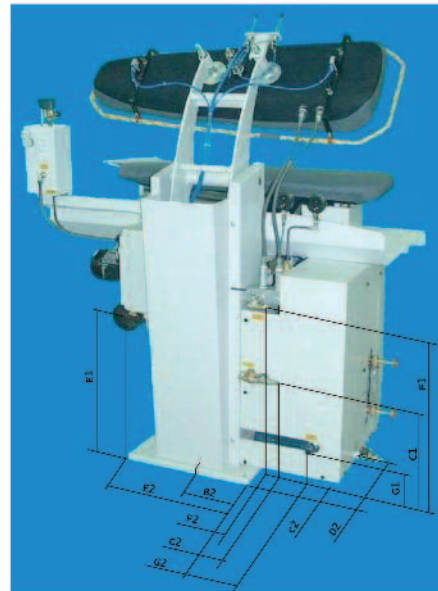
PARAMETER		DESCRIPTION		
type		ELETTRIC	STEAM SUPPLY	BOILER
Voltage	VOLT	400/3/50-60Hz	230/1/50-60Hz	400/3/50-60Hz
Vacuum power VA (optional)	Kw	0,37		
Boiler resistance BOI	Kw	12 or 15 or 18		12 ÷ 18
Air pressure	Bar	Max 7		
Steam pressure	Bar	Max 5.5		4.5
Weight of machine	Kg	220 + 350		
OVERALL DIMENSIONS				
Width	cm	125 + 170		
Depth	cm	120 + 135		
Height	cm	140 + 180		

PRESSES BUCKS (MM)



ASSEMBLY AND PREPARATION OF THE MACHINE

DESCRIPTION		mm	mm	DIMENSION
ELECTRICAL POWER			B2 160	
CONDENSATION RETURN	C1	540	C2 90	1/2"
AIR EXHAUST	E1	300	E2 550	Ø. 125
STEAM	F1	640	F2 90	1/2"
AIR INLET	E1	300	E2 550	3/8"
WATER INLET	G1	150	G2 180	3/4"
BOILER DISCHARGE	D1	60	D2 340	1/2"



ROTONDI group Srl
Via Fratelli Rosselli, 14/16
20019 Settimo Milanese (Milano) - Italia
Tel. (+39) 02.335.01.224 - Fax (+39) 02.335.01.329
E-mail: rotondi@rotondigroup.it
www.rotondigroup.com

Agente: