

Collapsible Picnic Table Information Sheet

The Collapsible Picnic Table is designed for high-traffic outdoor environments where strength, speed of deployment, and compact storage are essential. Built from durable hardwood and engineered with commercial-grade mechanisms, it delivers long-term reliability for events, hospitality, and public venues.



Purpose-Built Engineering

- **Precision Cut Joinery**
Every component is machined for accuracy and repeatability. This ensures a smooth folding action, perfect alignment, and a long-term structural stability.
- **Load-Path Structural Design**
The table's geometry carries weight through the legs and cross-members. Fixings only carry shear forces. The frame is triangulated to prevent racking and keeps the table rigid under heavy use.
- **Bronze-Bushed Sliding Mechanism**
The folding system runs on bronze bushings between stainless steel components. This eliminates stainless-on-stainless galling, reduces friction, and ensures a smooth, reliable motion over years of operation.
- **304 Stainless Steel Fixings Throughout**
Corrosion-resistant hardware prevents staining and guarantees longevity in outdoor environments.
- **One-Person Operation**
The table deploys or collapses in seconds, without tools - ideal for fast-paced hospitality and event setups.

Premium Timber: Red Grandis Hardwood

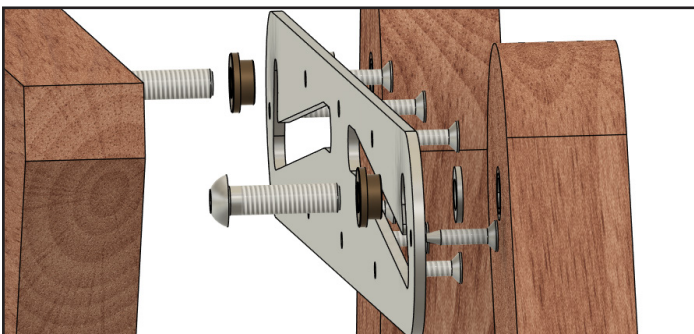
A sustainable, plantation-grown hardwood selected for its **strength, stability, and excellent outdoor performance**.

- Durable hardwood suitable for daily commercial use.
- Stable and predictable under machining and outdoor conditions.
- FSC-certified and responsibly sourced.
- Fine, even grain that finishes beautifully.
- Long service life when protected with Rubio Monocoat DuroGrit.

Rubio Monocoat DuroGrit Finish

A next-generation exterior finish engineered for durability and tactile quality.

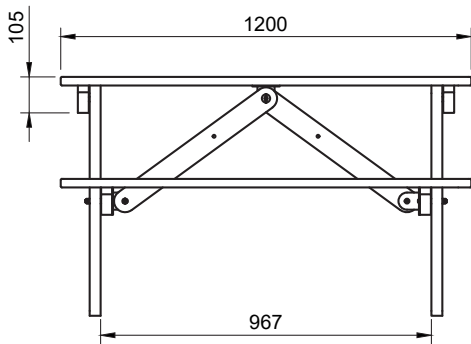
- UV-resistant and water-repellent.
- Micro-textured, anti-slip surface.
- Single-coat molecular bonding for long-term protection.
- Low-VOC and environmentally conscious.
- Enhances the natural grain of Red Grandis.



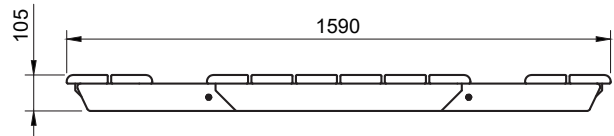
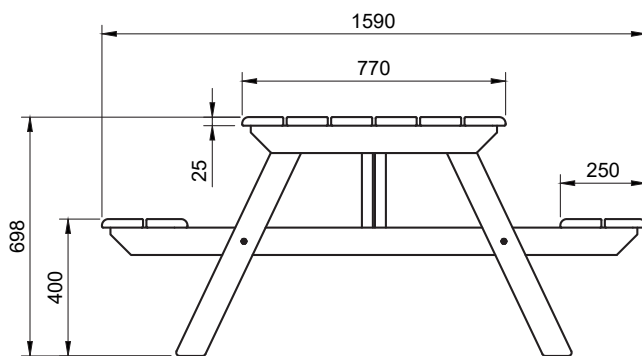
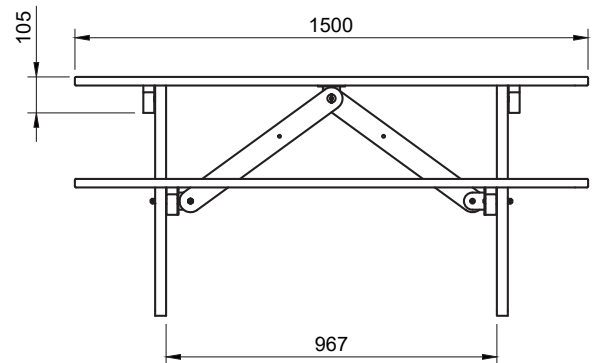
Specifications

- **Material:** Red Grandis hardwood
- **Hardware:** Stainless steel fixings, bronze bushings.
- **Finish:** Rubio Monocoat DuroGrit (colour options available). Periodic cleaning and re-oiling with Rubio Monocoat DuroGrit will maintain appearance and protection.
- **Collapsed Height:** 105mm - Multiple tables can be stacked efficiently for transport or storage.

4 Person Table - 37kg



6 Person Table - 42kg



Commercial Benefits

- Durable hardwood construction reduces long-term maintenance.
- Fast setup and breakdown reduces labour time.
- Bronze-bushed stainless steel mechanism minimises wear, extending service life and improving reliability.
- Collapsible design for efficient storage and transport.
- Every component can be replaced for longer working life.
- Built in the Cotswolds, with local support whenever you need it.
- Designed for hospitality, events, and premium outdoor living.