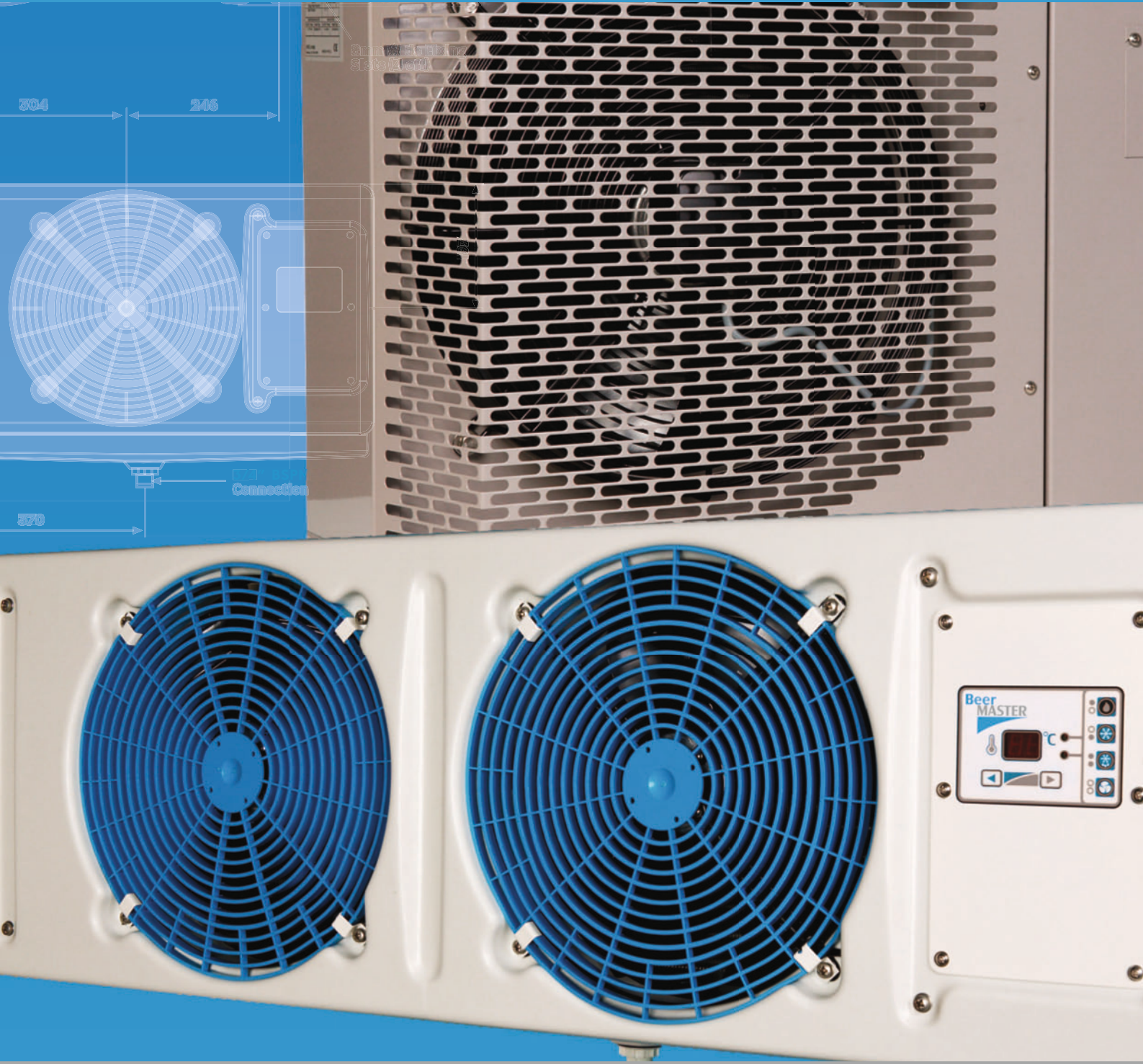


# R407C CELLAR COOLING



The New Beermaster from Climate Center is a flexible packaged cooling system, designed to fully incorporate the demands of the modern cellar cooling industry. An extensive range of reliable, efficient, service friendly condensing units and evaporators catering for cooling capacities between 3 and 15 kW, with rated ambient temperatures up to 38°C. Selections are available with cellar temperatures from 4°C to 12°C, which will meet the increasing range of cooling requirements for pubs, clubs and wine bars. In addition sound levels have been minimised throughout the range of BMO condensing units and BMIE evaporators.

## The Range

Consisting of compact BMO outdoor, weatherproof, housed units aligned with space saving BMIE evaporators now incorporating EC fan technology, the Climate Center Beermaster range is the solution to all cellar cooling applications. Operating two BMIE evaporators will successfully cool cellars with irregular shapes (with one BMO condensing unit.) Temperature is controlled from one evaporator, the other acting as a slave unit. Beermaster BMO condensing units are designed to minimise sound levels, which together with an acoustic kit option enables a further 6 dB(A) reduction, in noise sensitive locations. The BMIE evaporator compact design incorporates a highly efficient EC axial fan set, reducing sound, resonance and vibration, therefore minimising sound break out into bar and accommodation areas.

## BMO Condensing Unit Specification

### Nominal sound pressure levels:

41 to 49 dB(A) at 10m. Lower sound levels are achieved using the acoustic kit.

### Housing:

Fully weatherproof, with powder coat grey gloss finish (RAL7036).

### Compressor:

BMO 100 – Hermetic complete with crankcase heater BMO 120 to 550 – Scroll complete with crankcase heater.

### Liquid Line:

Receiver and sight glass.

### Controls:

Externally accessible mains isolator. Contactor. HP and LP pressure switches. Fully wired and enclosed electrical assembly.

### Fansets:

Single phase, high efficiency, low noise external rotor design, rated to IP44.

### Service:

Maximum access for service maintenance. Simple hinged and removable panels. Lid lifts up and latches, with two positions-full open or front access only.

### Connections:

Liquid and Suction angle service valves, pre-fitted with solder adaptors. External charging/gauge access ports.

### Installation:

Easy brazing to unit connections. Access without need to remove fixings. All components fully accessible from one side.

## BMIE Evaporator Specification

### Nominal sound pressure levels:

53 to 58 dB(A) at 3m.

### Construction:

Compact steel chassis design. White, single piece highly durable ABS front panel, incorporating fan mounting and controls.

### Drain tray:

Durable ABS with 3/4 inch BSP connection. Simple removal for cleaning. Fittings easily available to connect to speedfit, copper, polypipe etc. as a standard drain fitting. Wolseley part number 517588

### Controls:

Electronic controller, mounted in a subassembly with the fan capacitors and pre-made wiring connections. Incorporates an off cycle defrost regime, which automatically initiates if the optional defrost sensor is fitted. Expansion valve and solenoid valve.

### Fansets:

Single phase, EC high efficiency, low noise external rotor design, rated to IP44 complete with air straightener.

### Air Throw:

Up to 17m for even cellar temperatures.

### Energy saving:

Option to operate twin and three fan evaporators on a single fan during off cycle or heating mode. An off cycle defrost will initiate all fans.

### Air heater:

Single fan - 1.1 kw, twin/triple fan - 2.2kw, operated by controller, which incorporates a dead band control.

### Liquid Line:

Inlet connection with filter drier and solenoid valve.

### Service:

Front panel, drain tray and end panels are fully removable providing full access to unit, without the need to release from the ceiling or wall brackets. Front mounted controller allows access without removing platemwork.



### Connections:

End plates wrap around back of evaporator. Removal provides full access to the pipework connections.

### Installation:

Easily accessible endplates. All components fully accessible from one side.

## Options

### Wall Bracket:

Universal design suitable for all BMO condensing units and BMIE evaporators.

### Acoustic Kit:

Minimum sound pressure levels are achieved on the BMO condensing units using this option, with reductions up to 6 dB(A) at 10m, when running the fan at minimum speed. The kit comprises the fan speed controller and acoustic lining to the compressor compartment.

### Defrost sensor:

Required on all cellar selections at 4°C and some at 8°C, as indicated in the selection data on page four. Electronic controller incorporates an off cycle defrost regime, which automatically initiates if the defrost sensor is fitted.

Receiver sets available on request please contact your local Climate Center branch for further information.

## Cellars at Room Temperature of 10°C Above Ground

Cellar Volume m <sup>3</sup>	Condensing Unit Model	Part Number 230V 1ph 50Hz	Part Number 415V 3ph 50Hz	Evaporator Model	Part Number	Capacity (watts)
15 - 28	BMO-100-1	684200	-	BMIE407-37	684186	2820
28 - 40.5	BMO-120-1	684201	-	BMIE407-37	684186	3440
40.5 - 45	BMO-120-1	684201	-	BMIE407-48	684187	3620
45 - 55	BMO-150-1/3	684202	684203	BMIE407-48	684187	4230
55 - 60.5	BMO-150-1/3	684202	684203	BMIE407-69	684188	4570
60.5 - 66	BMO-150-1/3	684202	684203	BMIE407-89	684189	4770
66 - 78	BMO-200-1/3	684204	684205	BMIE407-69	684188	5600
78 - 84.5	BMO-200-1/3	684204	684205	BMIE407-89	684189	5890
84.5 - 91	BMO-250-1/3	684206	684207	BMIE407-69	684188	6490
91 - 105	BMO-250-1/3	684206	684207	BMIE407-89	684189	6890
105 - 112.5	BMO-300-1/3	684208	684209	BMIE407-89	684189	7680
112.5 - 120	BMO-300-1/3	684208	684209	BMIE407-104	684190	7910
120 - 128	BMO-300-1/3	684208	684209	BMIE407-133	684191	8190
128 - 153	BMO-350-3	-	684210	BMIE407-104	684190	9570
153 - 200	BMO-450-3	-	684211	BMIE407-133	684191	11360
200 - 235	BMO-550-3	-	684212	BMIE407-133	684191	13090

## Cellars at Room Temperature of 10°C Below Ground

15 - 50	BMO-100-1	684200	-	BMIE407-37	684186	2820
50 - 66	BMO-120-1	684201	-	BMIE407-37	684186	3440
66 - 72	BMO-120-1	684201	-	BMIE407-48	684187	3620
72 - 91	BMO-150-1/3	684202	684203	BMIE407-48	684187	4230
91 - 98	BMO-150-1/3	684202	684203	BMIE407-69	684188	4570
98 - 105	BMO-150-1/3	684202	684203	BMIE407-89	684189	4770
105 - 128	BMO-200-1/3	684204	684205	BMIE407-69	684188	5600
128 - 136	BMO-200-1/3	684204	684205	BMIE407-89	684189	5890
136 - 144.5	BMO-250-1/3	684206	684207	BMIE407-69	684188	6490
144.5 - 162	BMO-250-1/3	684206	684207	BMIE407-89	684189	6890
162 - 180.5	BMO-300-1/3	684208	684209	BMIE407-89	684189	7680
180.5 - 190	BMO-300-1/3	684208	684209	BMIE407-104	684190	7910
190 - 200	BMO-300-1/3	684208	684209	BMIE407-133	684191	8190
200 - 231	BMO-350-3	-	684210	BMIE407-104	684190	9570
231 - 288	BMO-450-3	-	684211	BMIE407-133	684191	11360
288 - 345	BMO-550-3	-	684212	BMIE407-133	684191	13090

## Cellars at Room Temperature of 4°C Above Ground

15 - 21	BMO-120-1	684201	-	BMIE407-37	684186	2810
21 - 28	BMO-150-1/3	684202	684203	BMIE407-48	684187	3460
28 - 32	BMO-150-1/3	684202	684203	BMIE407-69	684188	3750
32 - 40.5	BMO-200-1/3	684204	684205	BMIE407-69	684188	4600
40.5 - 45	BMO-200-1/3	684204	684205	BMIE407-89	684189	4850
45 - 50	BMO-250-1/3	684206	684207	BMIE407-69	684188	5310
50 - 55	BMO-250-1/3	684206	684207	BMIE407-89	684189	5650
55 - 60.5	BMO-300-1/3	684208	684209	BMIE407-89	684189	6310
60.5 - 66	BMO-300-1/3	684208	684209	BMIE407-104	684190	6510
66 - 84.5	BMO-350-3	-	684210	BMIE407-104	684190	7860
84.5 - 105	BMO-450-3	-	684211	BMIE407-133	684191	9030
105 - 130	BMO-550-3	-	684212	BMIE407-133	684191	10518

## Cellars at Room Temperature of 4°C Below Ground

15 - 21	BMO-100-1	684200	-	BMIE407-37	684186	2290
21 - 32	BMO-120-1	684201	-	BMIE407-37	684186	2810
32 - 40.5	BMO-150-1/3	684202	684203	BMIE407-48	684187	3460
40.5 - 45	BMO-150-1/3	684202	684203	BMIE407-69	684188	3750
45 - 50	BMO-150-1/3	684202	684203	BMIE407-89	684189	3910
50 - 60.5	BMO-200-1/3	684204	684205	BMIE407-69	684188	4600
60.5 - 66	BMO-200-1/3	684204	684205	BMIE407-89	684189	4850
66 - 72	BMO-250-1/3	684206	684207	BMIE407-69	684188	5310
72 - 78	BMO-250-1/3	684206	684207	BMIE407-89	684189	5650
78 - 84.5	BMO-300-1/3	684208	684209	BMIE407-89	684189	6310
84.5 - 91	BMO-300-1/3	684208	684209	BMIE407-104	684190	6510
91 - 98	BMO-300-1/3	684208	684209	BMIE407-133	684191	6740
98 - 112.5	BMO-350-3	-	684210	BMIE407-104	684190	7860
112.5 - 144.5	BMO-450-3	-	684211	BMIE407-133	684191	9030
145 - 175	BMO-550-3	-	684212	BMIE407-133	684191	10518

### Parameters

Ambient temperature: Above ground Cellars 32°C Below ground Cellars 21°C

Insulation: 1.42 w/m<sup>2</sup>- equal to an average cellar wall

Floor: Concrete to earth

Product loading: 16 l/m<sup>3</sup>

Product entering temperature: 25°C maximum

Product cooling time: 24 hours

Occupancy and pump load: 6 w/m<sup>2</sup>

Lighting: 10 w/m<sup>2</sup> for 10 hours

Plant running time: nominal 18 hours, maximum 19 hours

## R407C Selection Data

Condensing Unit			Evaporator Model	Balanced Capacity in Watts - Air On 32°C				Balanced Capacity in Watts - Air On 38°C			
Model	Nominal hp	Weight kg		4°C	8°C	10°C	12°C	4°C	8°C	10°C	12°C
BMO-100-I	1.0	61	BMIE407-37	2290	2646	2821	2998	2092	2420	2583	2747
BMO-100-I	1.0	61	BMIE407-48	2396	2764	2947	3131	2181	2519	2689	2860
BMO-120-I	1.2	61	BMIE407-37	2811	3231	3437	3643	2647	3048	3246	3445
BMO-120-I	1.2	61	BMIE407-48	2968	3402	3616	3831	2787	3204	3409	3617
BMO-150-I/3	1.5	68	BMIE407-48	3456	3974	4229	4484	3250	3741	3985	4229
BMO-150-I/3	1.5	68	BMIE407-69	3754	4302	4574	4848	3514	4036	4296	4558
BMO-150-I/3	1.5	68	BMIE407-89	3915	4482	4766	5053	3656	4197	4468	4741
BMO-200-I/3	2.0	71	BMIE407-69	4602	5274	5605	5939	4318	4959	5274	5592
BMO-200-I/3	2.0	71	BMIE407-89	4850	5548	5895	6245	4538	5201	5533	5867
BMO-250-I/3	2.5	75	BMIE407-69	5309	6104	6493	6882	4996	5749	6121	6494
BMO-250-I/3	2.5	75	BMIE407-89	5653	6480	6887	7297	5301	6088	6477	6869
BMO-300-I/3	3.0	76	BMIE407-89	6308	7227	7680	8136	5916	6795	7227	7663
BMO-300-I/3	3.0	76	BMIE407-104	6506	7447	7911	8378	6092	6990	7434	7881
BMO-300-I/3	3.0	76	BMIE407-133	6742	7706	8185	8670	6303	7221	7680	8144
BMO-350-3	3.5	102	BMIE407-104	7860	9004	9568	10131	7427	8518	9057	9599
BMO-450-3	4.5	110	BMIE407-133	9028	10587	11362	12138	8455	9974	10723	11481
BMO-550-3	5.0	118	BMIE407-133	10518	12227	13090	13632	9844	11242	12403	13177
<b>Twin Evaporators</b>											
BMO-120-I	1.2	61	2 x BMIE407-37	3076	3517	3739	3962	2878	3302	3515	3729
BMO-150-I/3	1.5	68	2 x BMIE407-37	3641	4170	4434	4700	3406	3911	4162	4417
BMO-200-I/3	2.0	71	2 x BMIE407-48	4671	5342	5677	6014	4370	5008	5327	5649
BMO-250-I/3	2.5	75	2 x BMIE407-48	5448	6244	6636	7031	5108	5865	6240	6617
BMO-300-I/3	3.0	76	2 x BMIE407-48	6082	6967	7403	7843	5703	6549	6965	7385
BMO-350-3	3.5	102	2 x BMIE407-69	7992	9134	9696	10264	7529	8620	9160	9704
BMO-450-3	4.5	110	2 x BMIE407-69	8822	10343	11093	11851	8258	9738	10468	11204
BMO-550-3	5.0	118	2 x BMIE407-89	10832	12577	13719	14409	9936	11850	12775	13495

Blue figures indicate a defrost sensor is required - Part number 684226

If controller set point is reduced below 8°C without the defrost sensor fitted, then the set point will default to 8°C.

Dual Evaporator Options - Data is for combined evaporator performance.

Both evaporators operating in the same cellar under master/slave control.



# BMO CONDENSING UNITS



## Sound Data

Condensing Unit Model	Sound Pressure Levels		Air Volume
	Standard dB(A) at 10m	Minimum dB(A) at 10m with acoustic kit	Nominal (m <sup>3</sup> /s)
BMO-100-1	41	35	0.57
BMO-120-1	41	35	0.57
BMO-150-1	42	36	0.69
BMO-150-3	42	36	0.69
BMO-200-1	46	41	0.96
BMO-200-3	46	41	0.96
BMO-250-1	46	41	0.89
BMO-250-3	46	41	0.89
BMO-300-1	47	42	0.89
BMO-300-3	47	42	0.89
BMO-350-3	49	44	1.91
BMO-450-3	49	44	1.91
BMO-550-3	49	44	1.78

Sound Pressure levels measured over a single semi-reverberant plane in otherwise free field conditions.

Minimum sound pressure levels are achieved using the acoustic kit, with the fan running a minimum speed.

The acoustic kit comprises the fan speed controller and acoustic lining to the compressor compartment.

The fan speed controller modulates both fans on the BMO 350 to 550 models.

### Acoustic kit

BMO 100 to 300 models – Part Number 684223

BMO 350 to 550 models – Part Number 684224

The acoustic kit can be supplied fitted.

Please specify at time of order.

## Electrical Data

Condensing Unit Model	Compressor						Fan Motor						
	Model	Supply	FLC (A)	LRA (A)	Start Cap (µF)	Run Cap (µF)	No.	Dia (mm)	Speed (Poles)	Power (watts) 230V lph	FLC (A)	LRA (A)	Cap (µF)
BMO-100-1	AJ5513C	230V lph 50hz	9.3	32.0	21	17.5	1	360	4	115	0.6	1.0	3
BMO-120-1	ZR18-K3E-PFJ	230V lph 50hz	10.0	35.0	-	35	1	360	4	115	0.6	1.0	3
BMO-150-1	ZR22-K3E-PFJ	230V lph 50hz	11.0	37.0	-	40	1	400	6	120	0.6	1.4	3
BMO-150-3	ZR22-K3E-TFD	415V 3ph 50hz	3.9	21.9	-	-	1	400	6	120	0.6	1.4	3
BMO-200-1	ZR28-K3E-PFJ	230V lph 50hz	15.0	61.0	-	45	1	400	4	160	1.0	2.1	6
BMO-200-3	ZR28-K3E-TFD	415V 3ph 50hz	4.8	31.0	-	-	1	400	4	160	1.0	2.1	6
BMO-250-1	ZR34-K3E-PFJ	230V lph 50hz	17.0	36.0	-	50	1	400	4	160	1.0	2.1	6
BMO-250-3	ZR34-K3E-TFD	415V 3ph 50hz	5.7	38.5	-	-	1	400	4	160	1.0	2.1	6
BMO-300-1	ZR40-K3E-PFJ	230V lph 50hz	23.0	100.0	-	55	1	400	4	160	1.0	2.1	6
BMO-300-3	ZR40-K3E-TFD	415V 3ph 50hz	6.6	43.5	-	-	1	400	4	160	1.0	2.1	6
BMO-350-3	ZR48-K3E-TFD	415V 3ph 50hz	10.0	50.0	-	-	2	400	4	160	2.0	4.2	6
BMO-450-3	ZR61-K3E-TFD	415V 3ph 50hz	11.0	65.5	-	-	2	400	4	160	2.0	4.2	6
BMO-550-3	ZR72-K3E-TFD	415V 3ph 50hz	13.0	74	-	-	2	400	4	160	2.0	4.2	6

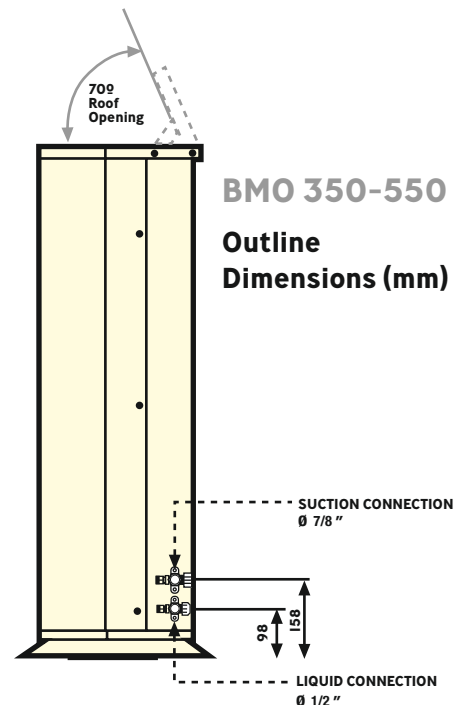
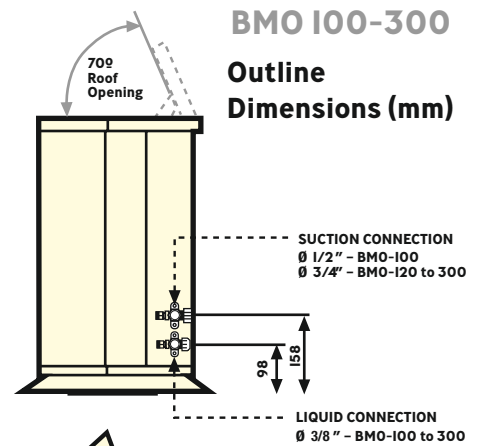
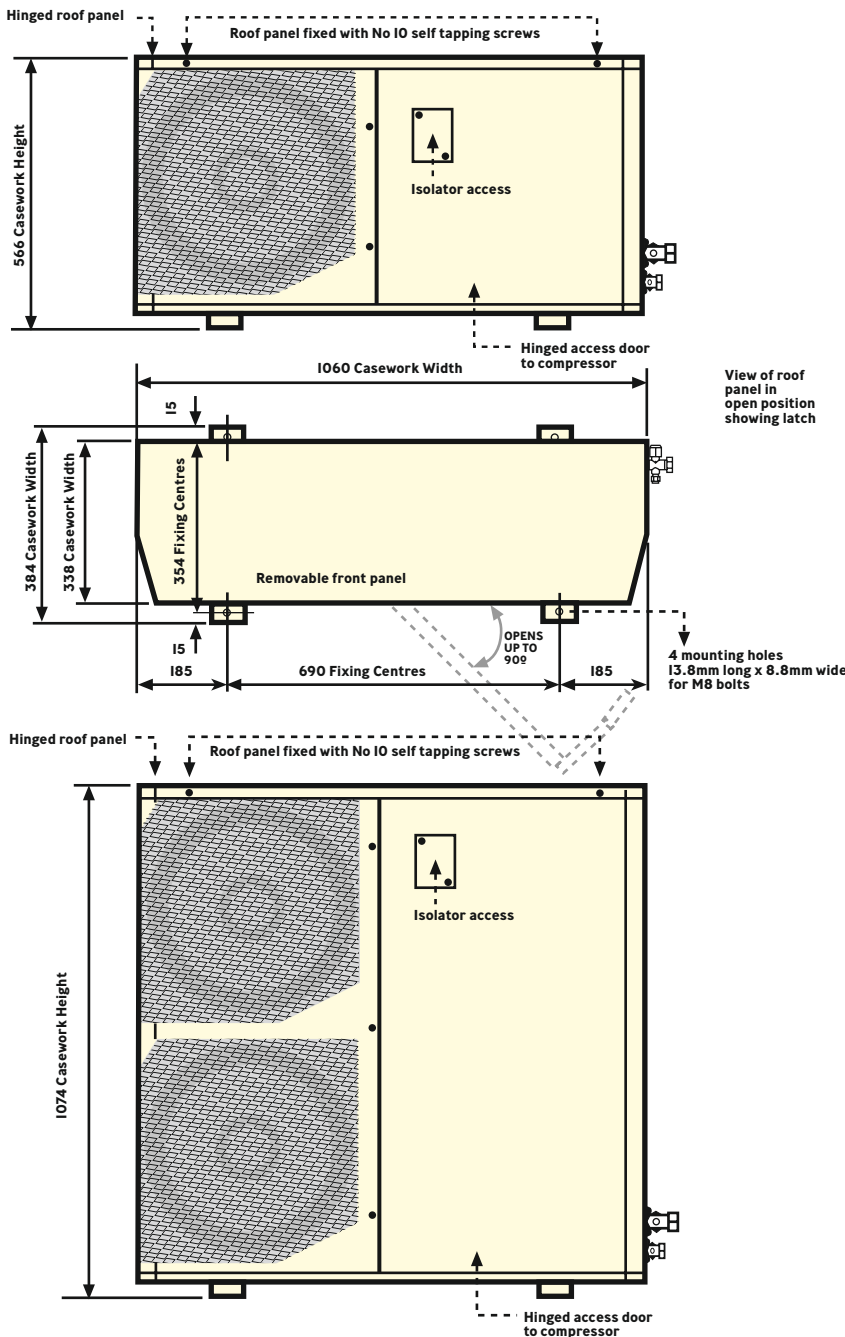
## Supply Data

Condensing Unit Model	Total Unit FLC (A)	Total Unit LRA (A)	Motor Rated Fuse Size (A)	Motor Rated MCB Size (A)	Minimum Cable Size	
					Up to 25m (mm <sup>2</sup> )	25m to 50m (mm <sup>2</sup> )
BMO-100-1	9.9	33.0	16	16	2.5	2.5
BMO-120-1	10.6	36.0	25	25	2.5	2.5
BMO-150-1	11.6	38.4	25	25	2.5	2.5
BMO-150-3	4.5	23.3	10	10	2.5	2.5
BMO-200-1	16.0	63.1	25	25	2.5	4.0
BMO-200-3	5.8	33.1	16	16	2.5	2.5
BMO-250-1	18.0	38.1	25	25	4.0	6.0
BMO-250-3	6.7	40.6	16	16	2.5	2.5
BMO-300-1	24.0	102.1	32	32	6.0	6.0
BMO-300-3	7.6	45.6	16	16	2.5	2.5
BMO-350-3	12.0	54.2	20	20	2.5	4.0
BMO-450-3	13.0	69.7	20	20	2.5	4.0
BMO-550-3	15.0	78.2	25	25	2.5	4.0

These values are recommendations and for guidance only. Additional site factors may need to be taken into consideration.

No allowance has been made for derating and correction factors within this guide.

If you are in any doubt over the fuse or cable size selection, please consult a qualified electrician or electrical engineer.



## Technical Data



### Air Movement Data

Evaporator Model	Air Throw		Air Volume
	At Ceiling Level m@0.25m/s	At 300mm below Ceiling Level m@0.25m/s	Nominal (m <sup>3</sup> /s)
BMIE407-37	14.1	15.97	0.45
BMIE407-48	11.9	13.11	0.38
BMIE407-69	15.0	17.38	0.88
BMIE407-89	12.0	13.59	0.73
BMIE407-104	15.4	17.82	1.32
BMIE407-133	12.4	14.38	1.10

Air throw values are measured in free conditions with a terminal velocity of 0.25m/s.

### Sound Data

Evaporator Model	Sound Pressure Level db (A) at 3m	Evaporator Model	Weight (Kg)
BMIE407-37	53	BMIE407-37	25
BMIE407-48	53	BMIE407-48	29
BMIE407-69	56	BMIE407-69	38
BMIE407-89	56	BMIE407-89	46
BMIE407-104	58	BMIE407-104	51
BMIE407-133	58	BMIE407-133	62

Sound Pressure levels measured over a single semi-reverberant plane in otherwise free field conditions.

### Weights

### Electrical Data

Evaporator Model	Fan Motor							Heater	
	Number	Diameter (mm)	Speed (Poles)	Power (Watts) 230V Iph	FLC (A)	LRA (A)	Capacitor (µF)	Power (Watts) 230V Iph	FLC (A)
BMIE407-37	1	300	EC	75	0.7	1.0	4	1100	4.8
BMIE407-48	1	300	EC	75	0.7	1.0	4	1100	4.8
BMIE407-69	2	300	EC	150	1.4	2.0	4	2200	9.6
BMIE407-89	2	300	EC	150	1.4	2.0	4	2200	9.6
BMIE407-104	3	300	EC	225	2.1	3.0	4	2200	9.6
BMIE407-133	3	300	EC	225	2.1	3.0	4	2200	9.6

### Supply Data

Evaporator Model	Total Unit FLC (A)	Motor Rated Fuse Size (A)	Motor Rated MCB Size (A)	Minimum Cable Size	
				Up to 25m (mm <sup>2</sup> )	25m to 50m (mm <sup>2</sup> )
BMIE407-37	5.5	16	16	2.5	2.5
BMIE407-48	5.5	16	16	2.5	2.5
BMIE407-69	11.0	20	20	2.5	2.5
BMIE407-89	11.0	20	20	2.5	2.5
BMIE407-104	11.7	20	20	2.5	2.5
BMIE407-133	11.7	20	20	2.5	2.5

These values are recommendations and for guidance only. Additional site factors may need to be taken into consideration.

No allowance has been made for derating and correction factors within this guide.

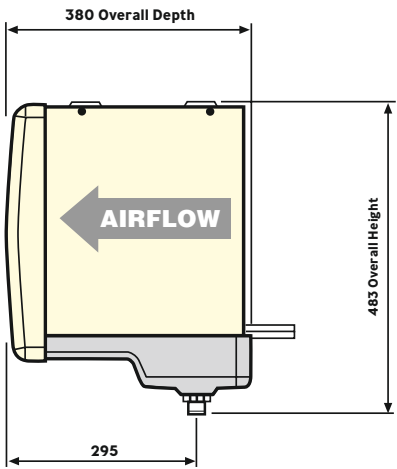
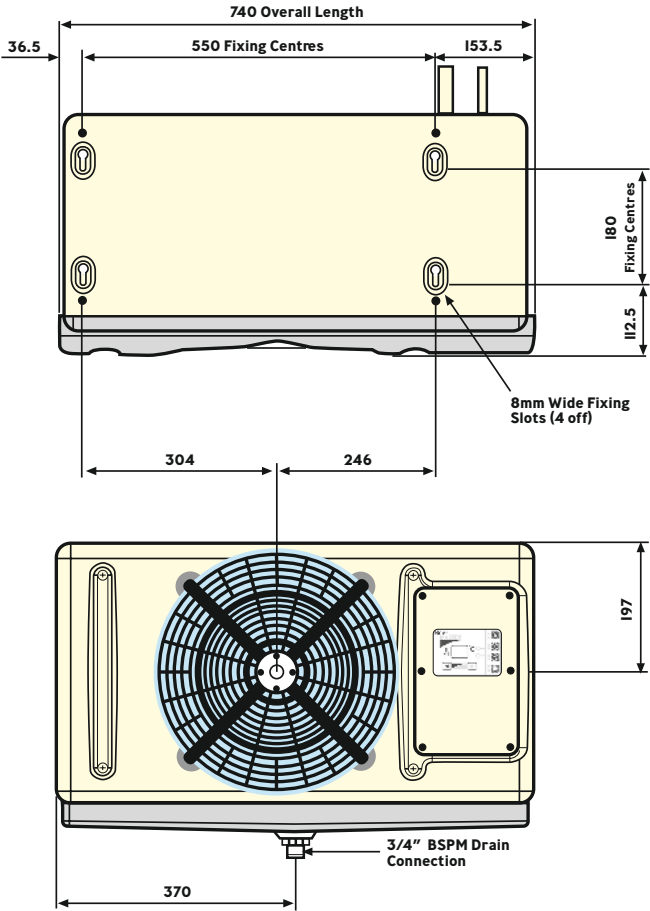
If you are in any doubt over the fuse or cable size selection, please consult a qualified electrician or electrical engineer.

BMIE407-69, 89, 104 and 133 models; Motor rated fused and MCB sizes revised.

## BMIE 407-37 and 48

### Outline Dimensions (mm)

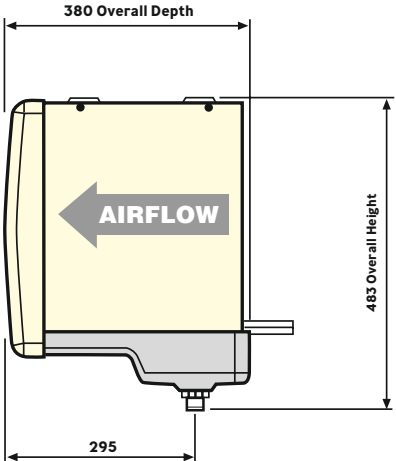
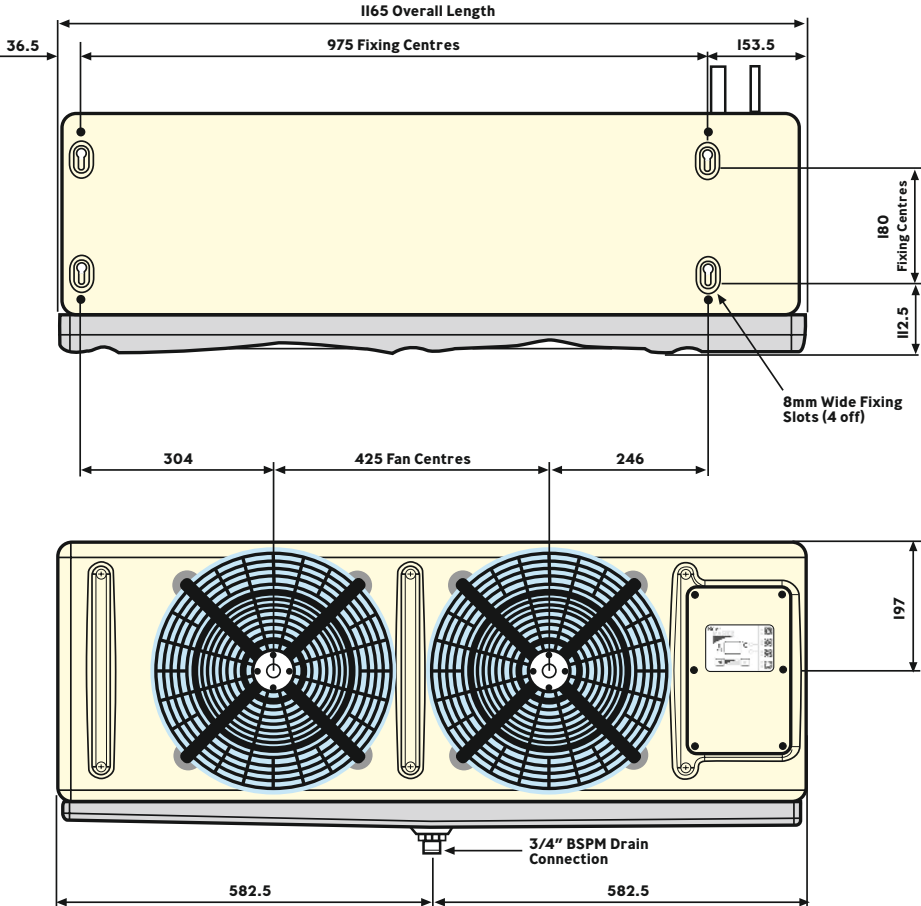
LIQUID INLET CONNECTION -  $\varnothing$  3/8"  
 SUCTION/OUTLET CONNECTION -  $\varnothing$  3/4"



## BMIE 407-69 and 89

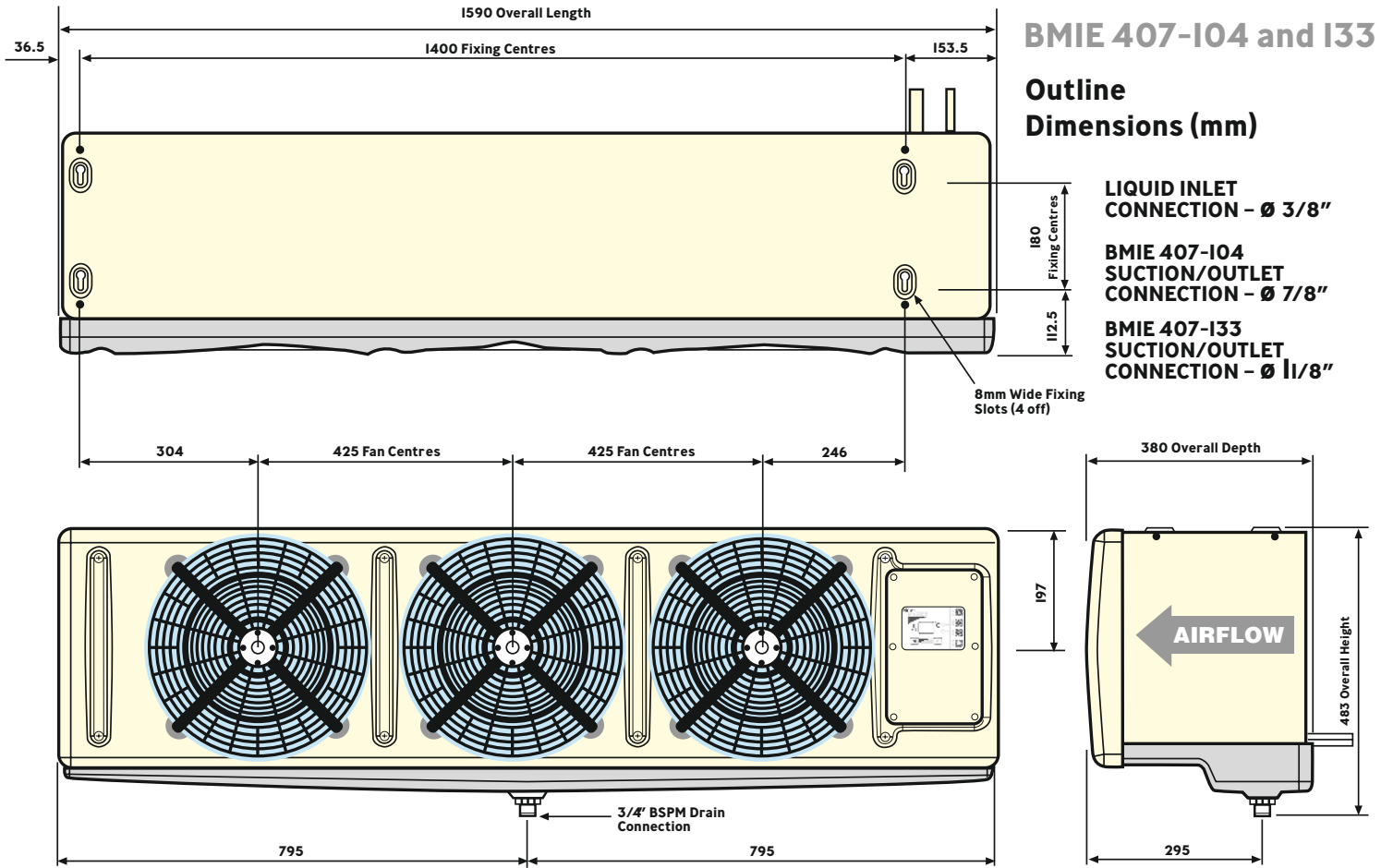
### Outline Dimensions (mm)

LIQUID INLET CONNECTION -  $\varnothing$  3/8"  
 BMIE 407-69  
 SUCTION/OUTLET CONNECTION -  $\varnothing$  3/4"  
 BMIE 407-89  
 SUCTION/OUTLET CONNECTION -  $\varnothing$  7/8"





# BMIE EVAPORATORS & Interconnecting Pipework Sizing



## BMIE 407-104 and 133

### Outline Dimensions (mm)

LIQUID INLET CONNECTION - Ø 3/8"

BMIE 407-104 SUCTION/OUTLET CONNECTION - Ø 7/8"

BMIE 407-133 SUCTION/OUTLET CONNECTION - Ø 1 1/8"

### Equivalent Interconnecting Line Length with 1k Pressure Drop

Condensing Model	Unit Connections		Evaporator Model	Cellar Temperature 4°C						Cellar Temperature 10°C					
				10m		20m		30m		10m		20m		30m	
				SUCTION	LIQUID	SUCTION	LIQUID	SUCTION	LIQUID	SUCTION	LIQUID	SUCTION	LIQUID	SUCTION	LIQUID
BMO-100-1	1/2"	3/8"	BMIE407-37	1/2"	3/8"	5/8"	3/8"	5/8"	3/8"	1/2"	3/8"	5/8"	3/8"	5/8"	3/8"
BMO-100-1	1/2"	3/8"	BMIE407-48	1/2"	3/8"	5/8"	3/8"	5/8"	3/8"	1/2"	3/8"	5/8"	3/8"	5/8"	3/8"
BMO-120-1	3/4"	3/8"	BMIE407-37	5/8"	3/8"	3/4"	3/8"	3/4"	3/8"	5/8"	3/8"	3/4"	3/8"	3/4"	3/8"
BMO-120-1	3/4"	3/8"	BMIE407-48	5/8"	3/8"	3/4"	3/8"	3/4"	3/8"	5/8"	3/8"	3/4"	3/8"	3/4"	3/8"
BMO-150-1/3	3/4"	3/8"	BMIE407-48	5/8"	3/8"	3/4"	3/8"	3/4"	3/8"	5/8"	3/8"	3/4"	3/8"	3/4"	3/8"
BMO-150-1/3	3/4"	3/8"	BMIE407-69	5/8"	3/8"	3/4"	3/8"	3/4"	3/8"	5/8"	3/8"	3/4"	3/8"	3/4"	3/8"
BMO-150-1/3	3/4"	3/8"	BMIE407-89	5/8"	3/8"	3/4"	3/8"	3/4"	3/8"	5/8"	3/8"	3/4"	3/8"	3/4"	3/8"
BMO-200-1/3	3/4"	3/8"	BMIE407-69	3/4"	3/8"	3/4"	3/8"	7/8"	3/8"	3/4"	3/8"	7/8"	3/8"	7/8"	3/8"
BMO-200-1/3	3/4"	3/8"	BMIE407-89	3/4"	3/8"	3/4"	3/8"	7/8"	3/8"	3/4"	3/8"	7/8"	3/8"	7/8"	3/8"
BMO-250-1/3	3/4"	3/8"	BMIE407-69	3/4"	3/8"	7/8"	3/8"	7/8"	3/8"	3/4"	3/8"	7/8"	3/8"	7/8"	3/8"
BMO-250-1/3	3/4"	3/8"	BMIE407-89	3/4"	3/8"	7/8"	3/8"	7/8"	3/8"	3/4"	3/8"	7/8"	3/8"	7/8"	1/2"
BMO-300-1/3	3/4"	3/8"	BMIE407-89	3/4"	3/8"	7/8"	3/8"	7/8"	3/8"	3/4"	3/8"	7/8"	3/8"	1 1/8"	1/2"
BMO-300-1/3	3/4"	3/8"	BMIE407-104	3/4"	3/8"	7/8"	3/8"	1 1/8"	3/8"	3/4"	3/8"	7/8"	1/2"	1 1/8"	1/2"
BMO-300-1/3	3/4"	3/8"	BMIE407-133	3/4"	3/8"	7/8"	3/8"	1 1/8"	1/2"	3/4"	3/8"	7/8"	1/2"	1 1/8"	1/2"
BMO-350-3	7/8"	1/2"	BMIE407-104	7/8"	3/8"	1 1/8"	3/8"	1 1/8"	1/2"	7/8"	3/8"	1 1/8"	1/2"	1 1/8"	1/2"
BMO-450-3	7/8"	1/2"	BMIE407-133	7/8"	3/8"	1 1/8"	1/2"	1 1/8"	1/2"	7/8"	3/8"	1 1/8"	1/2"	1 1/8"	1/2"
BMO-550-3	7/8"	1/2"	BMIE407-133	7/8"	3/8"	1 1/8"	1/2"	1 1/8"	1/2"	1 1/8"	1/2"	1 1/8"	1/2"	1 1/8"	1/2"

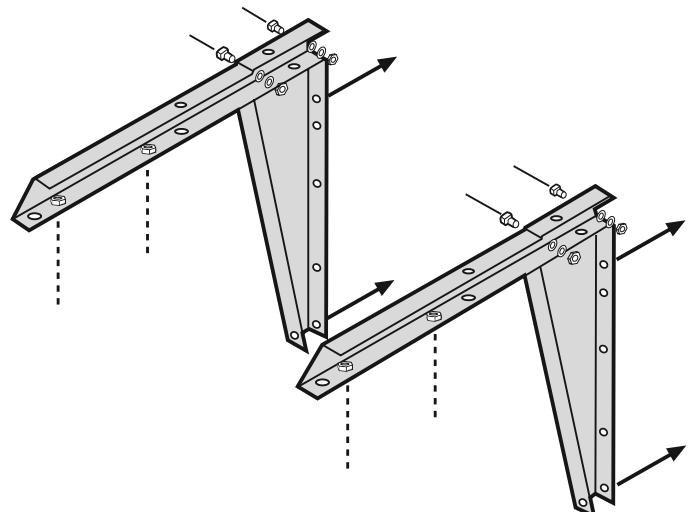
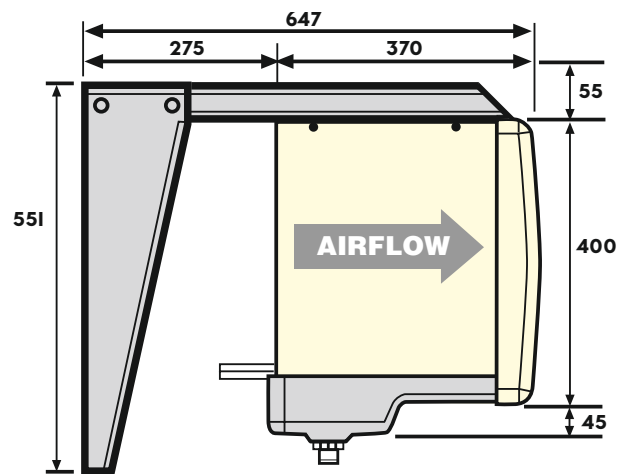
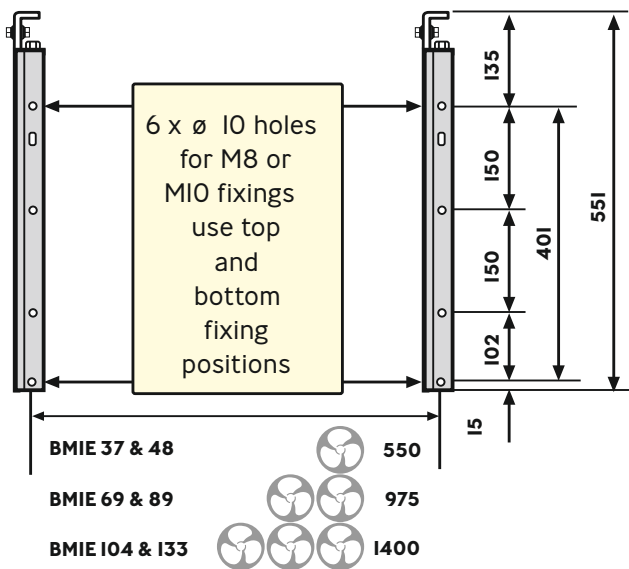
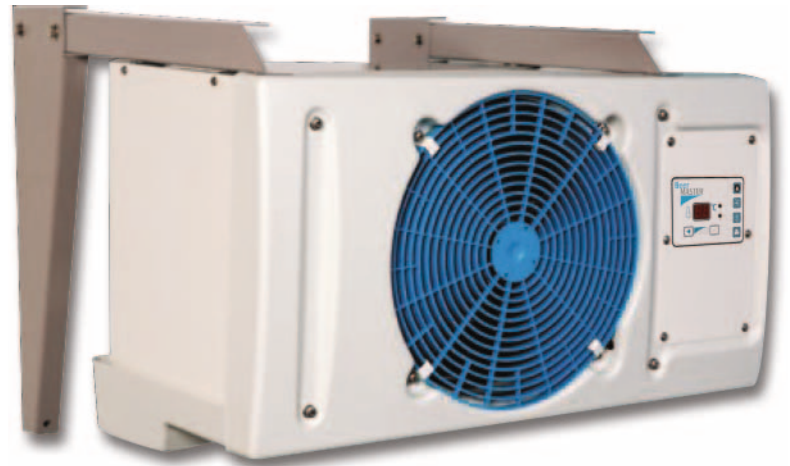
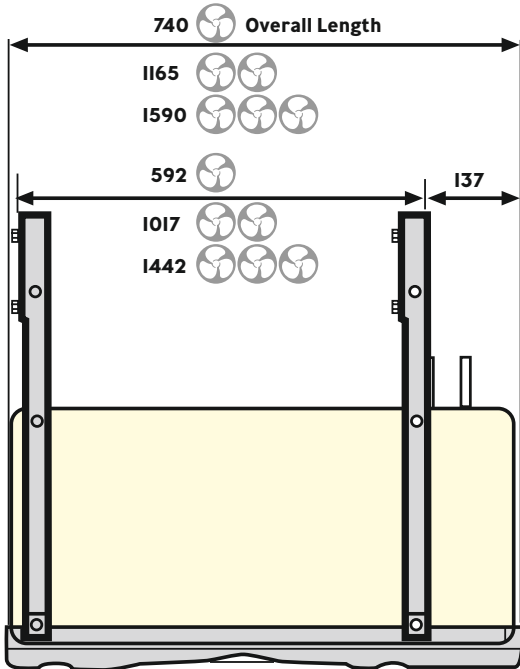
The pipework sizes above are suited for the nominal duty of the BMO and BMIE matched together as shown in the table. Pipework should be selected based on the total equivalent run length of the interconnecting pipe between the two units, not the dimensional length. Additional equivalent lengths for all bends, vertical rises etc, should be added to the basic run lengths to achieve the equivalent run lengths. If the equivalent run length exceeds the 10m setting use 20m, if the run exceeds 20m use 30m, do not uprate or interpolate the readings above. Please consult your Climate Center technical engineer for selections of line lengths over 30m.

# BMIE EVAPORATOR

## Universal Support Bracket



The Beermaster universal support bracket incorporates an innovative design, allowing one solution for all the BMO units and BMIE evaporators. Its easy to assemble and locate in position, with minimal profile, or specific locations where space is at a premium.



### Mounting position for the BMIE evaporators

Universal wall mounting Kit: Part No.684222

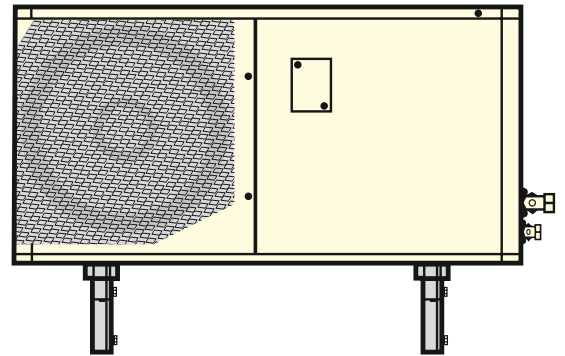
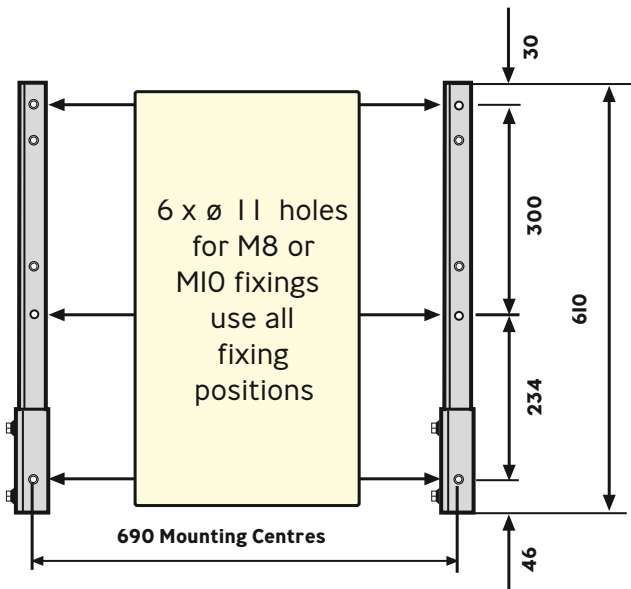
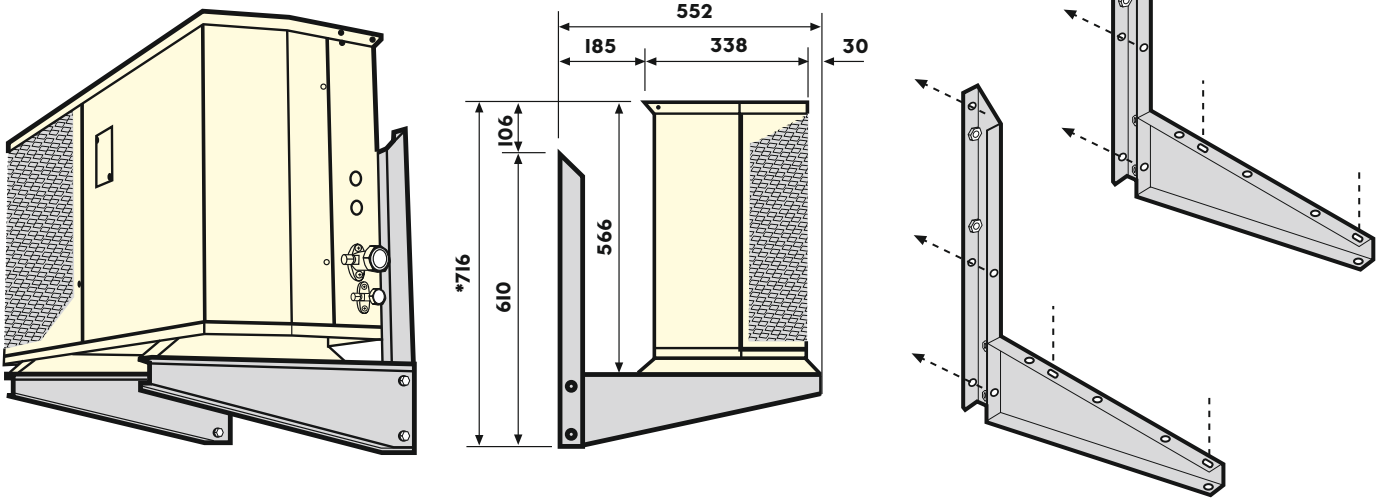
Bracket shown supporting the BMIE 37 or 48 size evaporator.

# BMO CONDENSING UNIT

## Universal Support Bracket



### Mounting Position for the BMO condensing units



### Bracket shown supporting the BMO 100 to 300 condensing unit

Universal wall mounting Kit: Part No.684222

\*Bracket is also suitable for the BMO 350-550 condensing units. The Overall height increases to 1224mm.



For further information visit our website  
or call into your local branch.

Whilst every care has been taken to ensure that the information included in this document was accurate at the time of printing, we reserve the right to change specifications at any time. The photographs reproduced in this publication are within the constraints of the printing process and are NOT to be used for matching purposes.

CBMCCB01/15